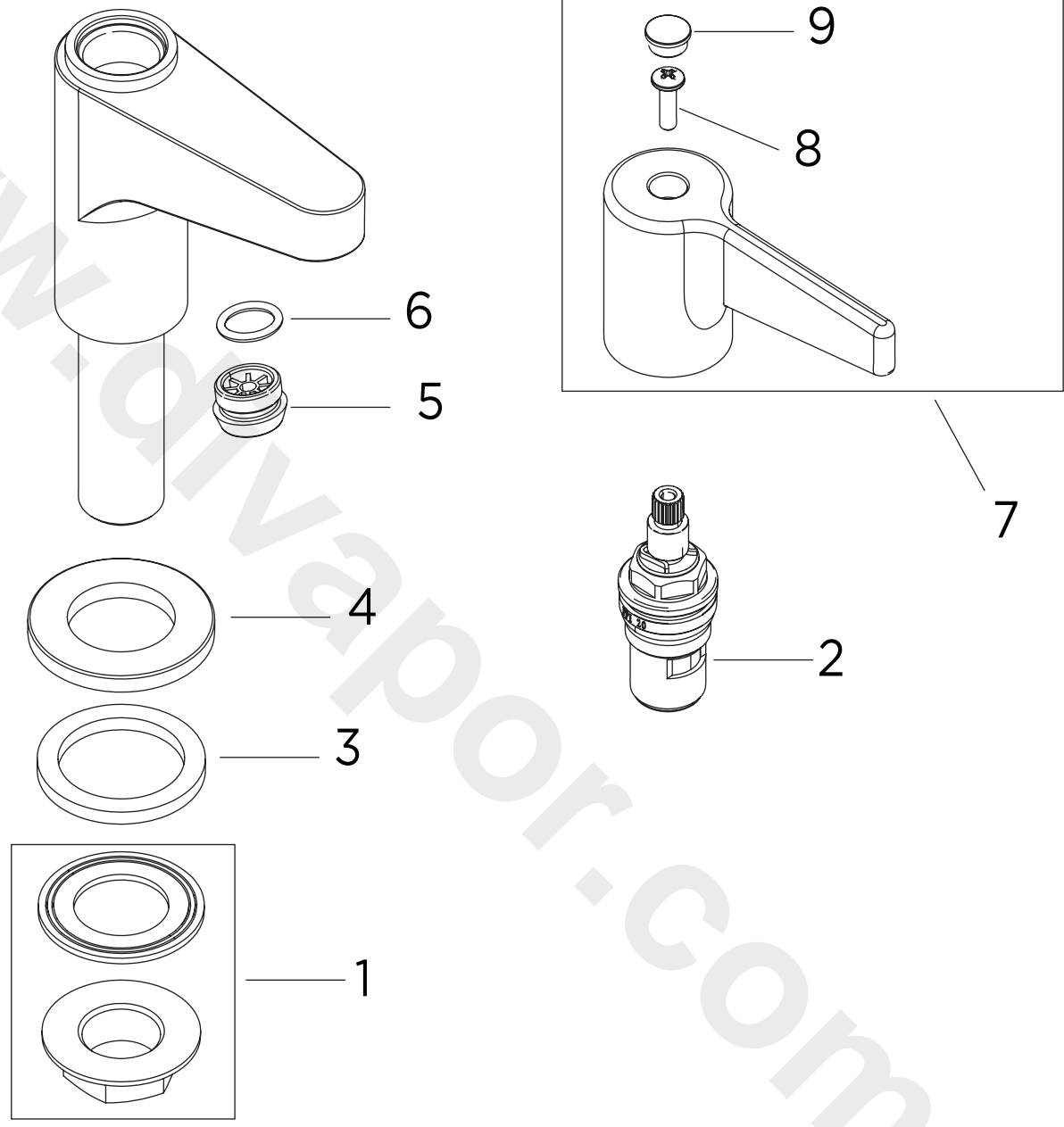


**Product Code:** DUL 1/2 C  
**Revision:** D2



|   |                             |
|---|-----------------------------|
| 1 | Back nut and Washer         |
| 2 | Hot & Cold CD Valves (Pair) |
| 3 | Washer for Plinth           |
| 4 | Plinth                      |
| 5 | Anti-Splash                 |
| 6 | O-Ring                      |
| 7 | Handle Assembly (Pair)      |
| 8 | Handle Screw                |
| 9 | Indice (Pair)               |